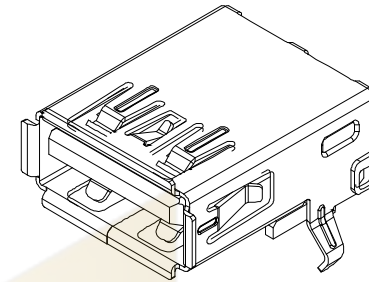
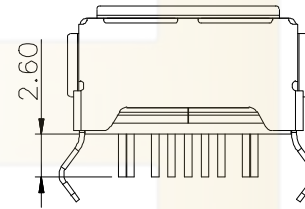
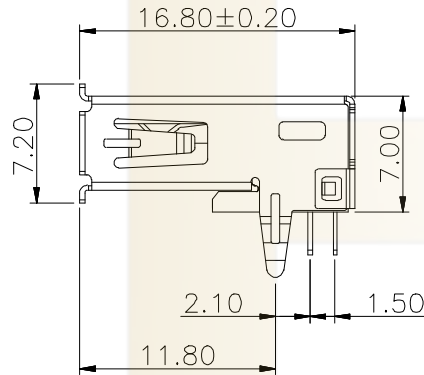
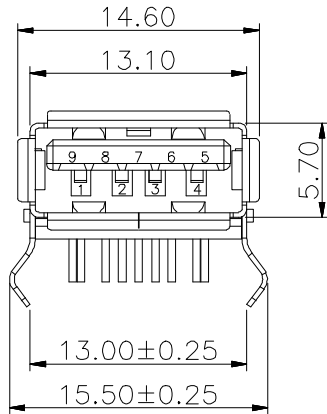
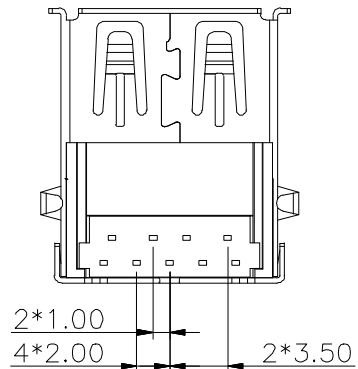


NOTES:

1. MATERIAL:
 - 1.1. HOUSING: PBT ,COLOR IS BLUE;
 - 1.2. CONTACT: BRASS (H65 T=0.20&0.25mm);
 - 1.3. SHELL: COLD ROLLED IRON (SPCC T=0.30mm);
2. ELECTRICAL:
 - 4.1. VOLTAGE RATING: 30V DC ;
 - 4.2. CURRENT RATING: 1.5A ;
 - 4.3. CONTACT RESISTANCE: 30MILLIOHMS MAX.;
 - 4.4. WITHSTAND VOLTAGE: 100V AC RMS 50(60)Hz,1MIN.;
 - 4.5. INSULATION RESISTANCE: 100MEGOHMS MIN @500V DC;
5. MECHANICAL:
 - 5.1. MATING FORCE: 35N MAX.;
 - 5.2. UNMATING FORCE: 5~35N ;
 - 5.3. OPERATING LIFE: 1500 CYCLES MIN.;
6. PLATING:
 - 6.1. TERMINAL:
 - NI PLATING OVER ALL,
 - Tin PLATING ON SOLDER AREA,
 - Au G/Fu" ON CONTACT AREA;
 - 6.2.SHELL: NI PLATING OVER ALL;
7. ENVIRONMENTAL:
 - 7.1. STORAGE TEMPERATURE RANGE: -40°C~+85°C;
 - 7.2. OPERATION TEMPERATURE RANGE: -25°C~+70°C;



PIN NUMBER	SIGNAL NAME
PIN 1	Vbus
PIN 2	D-
PIN 3	D+
PIN 4	GND
PIN 5	StdA_SSRX-
PIN 6	StdA_SSRX+
PIN 7	GND_DRAIN
PIN 8	StdA_SSTX-
PIN 9	StdA_SSTX+
SHELL	GND



		GENERAL TOLERANCE		制图		深圳市华灿天禄电子有限公司				
				DRAWING		ShenzhenhuaciantianluELECTRONICS CO.,LTD				
				审核		产品名称		版本		A
		DIM TOL		CHECK		TYPE AF 9P 3.0 L16.8mm		弯脚 卷边		REV.
1		初版发行		批准		产品料号		HC-ST-003-01-J		单位
序号		变更内容		比例		PART NO.				UNITS
No.		MODIFY CONTENT		SCALE		材料				页次
		日期		投影		MATERIAL				SHEET
		MODIFY DATE		Projection						1/3